



Product designation				Motor protection relay
Product type designation				RFE110
General characteristics				
Number of poles		nr.	3	
Overvoltage category				III
Pollution degree				3
Frontal IP degree				IP20
Type of release				Electronic thermal
Protection fuse				
		gG (IEC)	A	200 A
		aM (IEC)	A	125 A
Phase failure detection				YES
Reset mode				Manual or automatic
Power circuit characteristics				
Operating frequency		Operational frequency max	Hz	60 1/s
Operating current		Operational current min	A	22 A
		Operational current max	A	110 A
Tripping class				5 - 10 - 20 - 30
Test Button				YES
Trip indicator				YES
Terminals		type screw tool	Yoke clamp M6 Allen key 4	
Auxiliary circuit characteristics				
Auxiliary contacts		NO	nr.	1
		NC	nr.	1
Operating current AC15		24V	A	3 A
		120V	A	3 A
		240V	A	1.5 A
		380V	A	0.95 A
		480V	A	0.75 A
		500V	A	0.72 A
		600V	A	0.6 A
Operating current DC13		125V	A	0.11 A
		600V	A	0.22 A
Conventional free air thermal current I _{th}				A 10 A

Terminals

type	Screw and washer
screw	M3,5
tool	Phillips 2

UL/CSA and IEC/EN 60947-5-1 designation B600-R300

Ambient conditions

Max altitude m 3000

Mechanical features

Operating position normal allowable Vertical plan ±30°

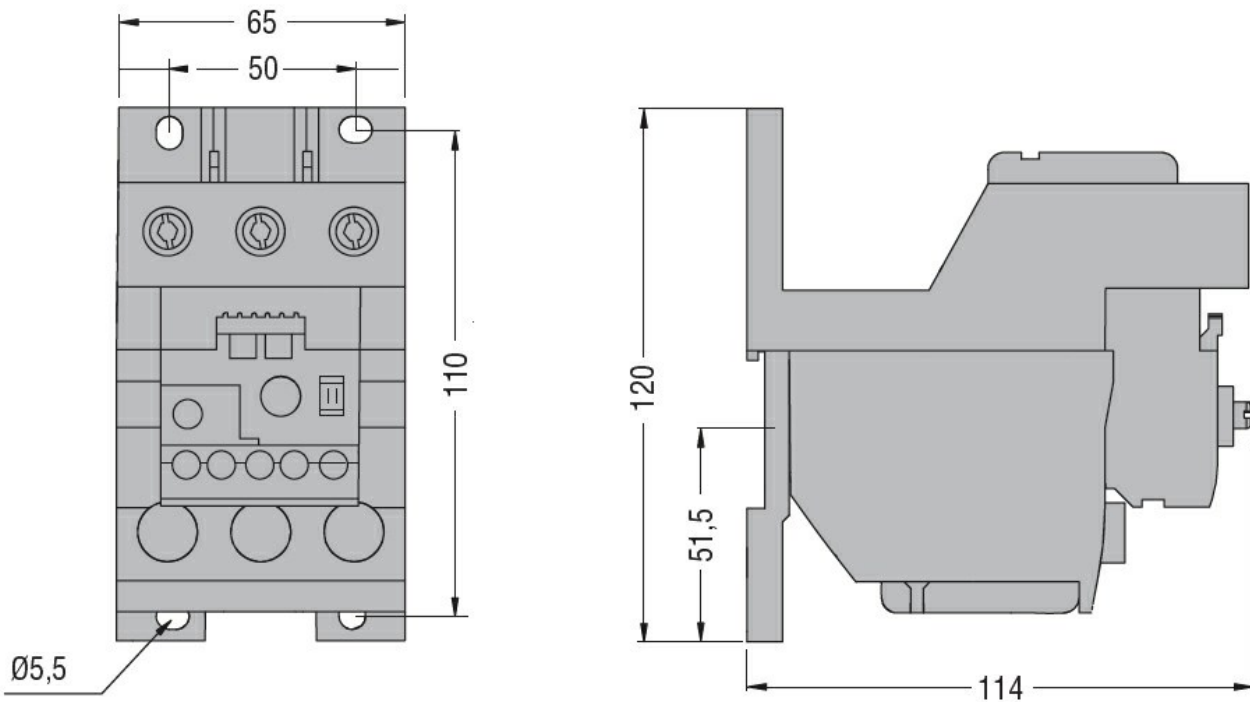
Weight g 0.195 kg

UL technical data

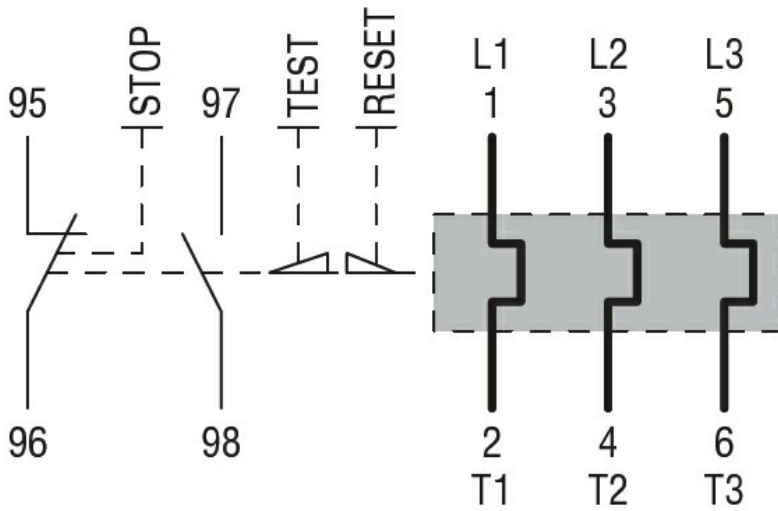
Full-load current (FLA) for three-phase AC motor

at 480V	A	110 A
at 600V	A	110 A

Dimensions



Wiring diagrams



Certifications and compliance

Compliance

CSA C22.2 n° 60947-1
CSA C22.2 n° 60947-4-1
IEC/EN 60947-1; IEC/EN 60947-4-1
UL 60947-1
UL 60947-4-1

Certifications

cULus